

# ECO PHYSICS CLD 822 M h

## Application examples



Burners and Boilers
Manufacturers of gas turbines
Certification and calibration authorities
DeNOx plants
Refining of fuels and lubricants
Tobacco industry
Research and development

**The solution for simultaneously measured NO and NO<sub>x</sub> has got a name: CLD 822 M h. The heated inlet copes with hot and humid gas samples – no gas cooler required!**



### A fascinating technology.

The analyzer is not only a state-of-the-art product in terms of precision and reliability. Its technological base also sets the trend for others. The integrated hot tubing (h) allows the direct measurement of hot and moist gases. An external preconditioning of the sample gas is not required. Naturally occurring pressure variations in the sample flow are balanced out by means of an electronic and mechanical bypass system (r). Many options can be integrated without any problem to satisfy the need for non-standardized applications. The advantage of compact design: the CLD 822 Mh includes everything inside the case – even the vacuum pump and the ozone scrubber.

### Two instead of one.

The CLD 822 M h nitrogen oxide analyzer is optimized for its use in systems which require reliable NO<sub>2</sub> measurements or the control of two sample gases in parallel.

The outstanding feature is the concept of two parallel reaction chambers. They guarantee simultaneous meas-



*The CLD 822 M h with slides is perfectly prepared for rack mounting.*

urement of NO and NO<sub>x</sub> in order to generate the precise value of NO<sub>2</sub>.

The analyzer is capable of coping with two separate measurement tasks. This may include the task of comparing the values at the inlet and the outlet of a process or the direct comparison of two independent samples. The analyzer simply requires a dual inlet feature option (d) and one additional converter.

### User friendliness is a top priority.

The analyzer can be operated by means of the integrated keypad or remotely from a personal computer. The clear layout of the menu structure guides the user and enables him to take advantage of all analyzer functions with simple commands. Integrating the analyzer in larger systems is possible by including runners in the standard chassis design.

- Four freely selectable measurement ranges [with option (d) two per channel]
- Choice between several types and numbers of converters from 0 to 2 according to the application
- Error message coded and in full text
- Rapid system integration
- Virtually maintenance-free even in continuous operation.



# CLD 822 M h

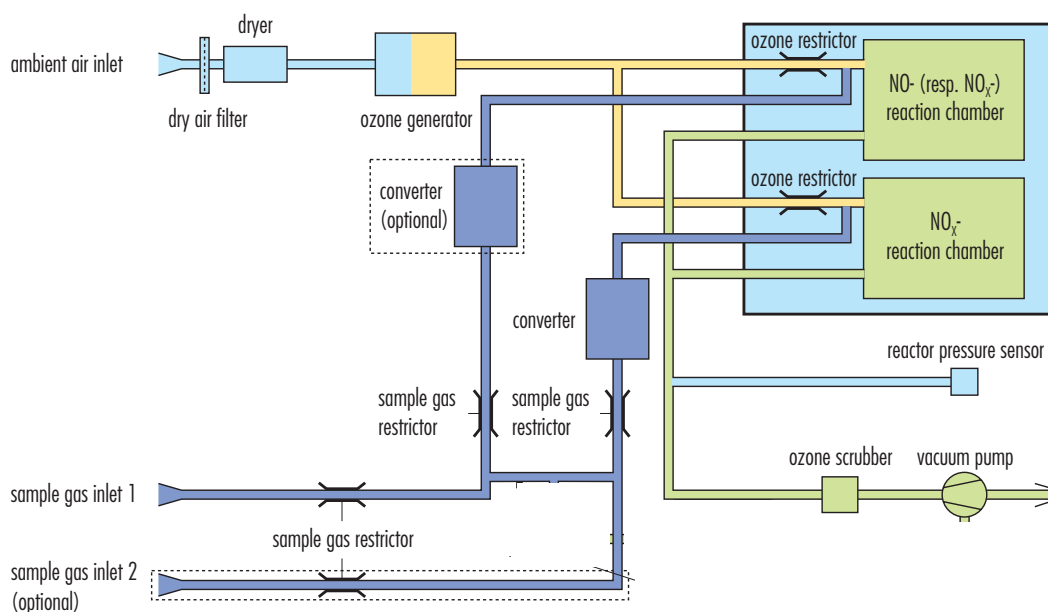
## Specifications

<b>Measuring ranges</b>	four freely selectable ranges from 5–5000 ppm, with option d two per channel	<b>Supply voltage</b>	100-230 V/50–60 Hz
<b>Min. detectable concentration</b>	0.25 ppm*	<b>Interface</b>	RS 232 (standard)
<b>Noise at zero point (1 <math>\sigma</math>)</b>	0.125 ppm*	<b>Analog output</b>	4–20 mA into 500 $\Omega$ max.; 0–1 V; 0–10 V
<b>Lagtime</b>	<1 sec	<b>Dimensions</b>	height: 133 mm (5 1/4 ") width: 450 mm (19 ") with moulding: 495 mm depth: 545 mm
<b>Rise time (0–90%)</b>	<1 sec	<b>Weight</b>	26 kg
<b>Temperature range</b>	5–40 °C	<b>Delivery includes</b>	CLD 822 S h analyzer, power cable, analog signal cable, manual
<b>Humidity tolerance</b>	5–95% rel. h (non-condensing, ambient air and sample gas)	<b>Standard</b>	CLD 822 M h
<b>Quenching (with gas cooler)</b>	for H <sub>2</sub> O: <1.5% of meas. value for CO <sub>2</sub> : <0.3%/vol.-% CO <sub>2</sub>	<b>Options</b>	S steel converter d dual sample gas inlet MM d dual channel NO <sub>x</sub> /NO <sub>x</sub>
<b>Sample flow rate</b>	0.1 l/min		
<b>Input pressure</b>	externally stabilized within $\pm 3$ mbar		
<b>Dry air use for O<sub>3</sub> generator</b>	internally generated (no external supply gas required)		
<b>Power required</b>	400 VA (incl. membrane pump and ozone scrubber)		

\* depending on filter setting

ECO PHYSICS reserves the right to change these specifications without notice.

## Flow diagram



## ECO PHYSICS

ECO PHYSICS AG · POB 282 · CH-8635 DUERNEN · TEL. +41 55 220 22 22 · FAX +41 55 220 22 55 · E-MAIL INFO@ECOPHYSICS.COM  
WWW.ECOPHYSICS.COM