

EE16-T Series

Temperature Transmitters for HVAC Applications

EE16 temperature transmitters are the ideal solution for accurate measurement of temperature in the range 0...50°C (32...122°F) in HVAC applications.

EE16 temperature transmitters are available as wall or duct mounted with current or voltage output signals.



Typical Applications

building-automation
 storage rooms
 climate and ventilation control

Features

excellent price/performance ratio

Technical Data

Measuring values

Temperature (active output)

Sensor	Pt1000 (class A, DIN EN 60751)	
Output appropriate 0...50°C (32...122°F)	0-10 V	-1 mA < I _L < 1 mA
	4-20 mA (two wire)	R _L < 500 Ohm
Accuracy at 20°C (68°F) ¹⁾	±0.3°C (±0.5°F)	

Temperature (passive output)

Type of T-Sensor	please see ordering guide	
------------------	---------------------------	--

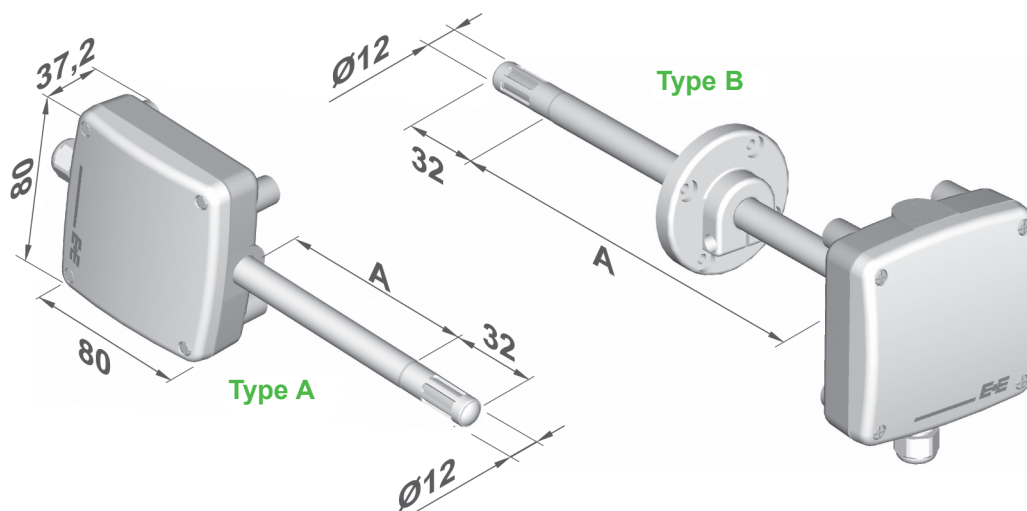
General

Supply voltage	15 - 35V DC or 24V AC ±20%	
for 0 - 10 V		
for 4 - 20 mA	10V + R _L x 20 mA < U _v < 35V DC	
Current consumption	for DC supply	typ. 8 mA
	for AC supply	typ. 20 mA _{eff}
Electrical connection	screw terminals max. 1.5 mm ² (AWG 16)	
Housing / protection class	Polycarbonate / IP65, Nema 4	
Cable gland	M16x1.5	cable Ø 4.5 - 10 mm (0.18 - 0.39")
Sensor protection	membrane filter or plastic grid	
Electromagnetic compatibility	EN61326-1	CE
	EN61326-2-3	
Temperature range	working temperature:	-5...50°C (23...122°F)
	storage temperature:	-25...60°C (-13...140°F)

1) Please note: temperature accuracy EE16-T6x2x: ±0.5°C (±0.9°F)

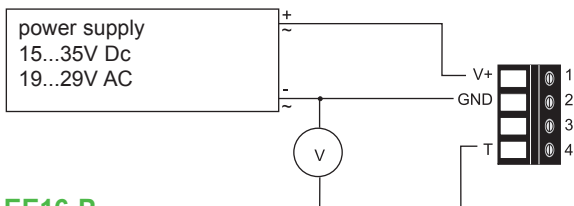
Dimensions (mm)

1 mm = 0.03937" / 1" = 25.4 mm

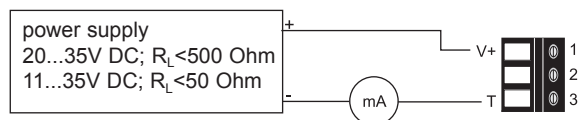


Connection Diagram

EE16-T3xxx



EE16-T6xxx



EE16-P



Ordering Guide

MODEL	OUTPUT	HOUSING	PROBE LENGTH (according to "A")	FILTER
temperature active (T)	0-10 V (3) 4-20 mA (6)	wall mounting (A) duct mounting (B)	50mm (1.9") (2) 200mm (7.9") (5)	membrane filter (1) plastic grid (4)
EE16-				

MODEL	T-SENSOR	HOUSING	PROBE LENGTH (according to "A")	FILTER
temperature passive (P)	Pt 100 DIN A (A) Pt 100 DIN B (B) Pt 1000 DIN A (C) Pt 1000 DIN B (D) others on request	wall mounting (A) duct mounting (B)	50mm (1.9") (2) 200mm (7.9") (5)	membrane filter (1) plastic grid (4)
EE16-				

Ordering Example

EE16-T3A21

model: temperature transmitter
output: 0-10 V
housing: wall mounting
probe length: 50mm (1.9")
filter: membrane filter