

ANKERSMID Adsorption material filter

AAM series

Application

Ankersmid Universal Filters are known as a reliable technique for the adsorption of components in a gas stream that cause interferences in the gas measurement.

The design of the filter and filter housing ensures that any liquids present in the gas will be separated and collected in the bottom of the filter-housing.

The AAM series are based on the elements of the AUF universal filter series.

Due to its universal standard design, the filters can be used with various adsorption cartridges and, if needed, also be fitted with a liquid sensor.



* Pictures may vary

Description

Gas flows into the filter body by one of two inlets in the standard filter head. The gas flows out of holes in the lower part of the filter and then passes through the adsorption material to exit again at the head of the filter housing.

The modular design is suitable for the following:

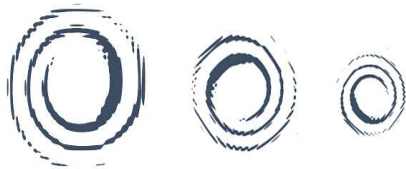
- Cartridges filled with different types of adsorption materials like active-coal, Purafil[®], Silica gel[®] etc.
- Cartridges with lengths of 75 or 150mm
- Head and cartridge made of PVDF or PTFE
- Filter body made of Duran[®] Glass
- Bottom closed or with GL25-connection

No tools are needed to replace the cartridge.

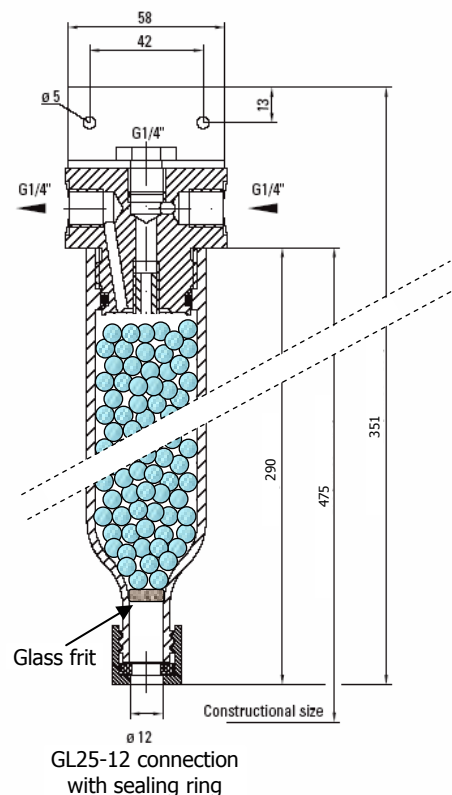
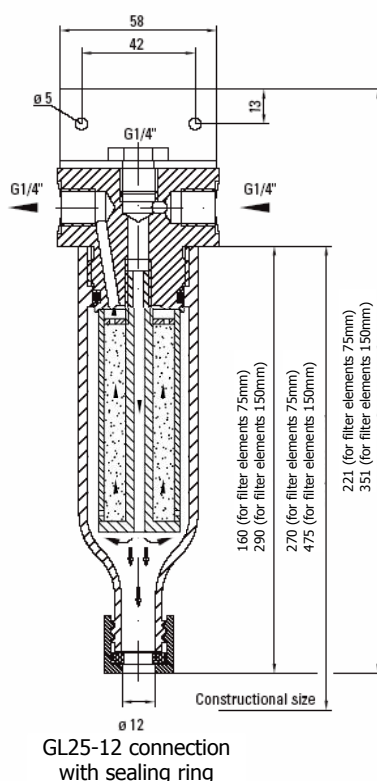
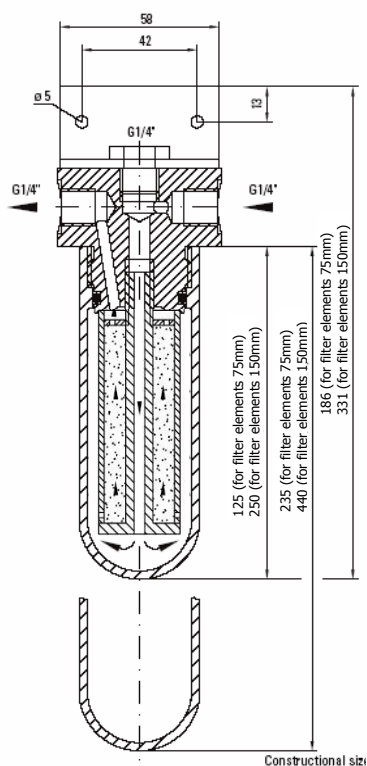
The filter series AAM 053/054 including a filter body with bottom glass frit and filled with glass balls creates a huge surface for maximum contact of the gas and aerosols with its liquid. The condensed liquid can be separated or extracted at the outlet (bottom) when extra absorbent is needed, or injection by a peristaltic pump can be effectuated through the second inlet port.

The filter unit can be rotated about 180° in the holder for wall mounting or Ankersmid Modular System. This allows for a flexible adaptation of in- and outlet to local conditions. rotated about 180° in the holder for wall mounting or Ankersmid Modular System. This allows a flexible adaptation of in- and outlet to local conditions.

- Universal in use
- Modular construction
- Cartridges can be filled with different kind of adsorption materials
- Wall-mounting
- Easy maintenance



Dimensions



Technical data

Length of adsorption cartridge	75mm, 150mm	
Sample connections: Gas inlet/-outlet	3x G1/4" f	
Condensate connection	GL25	
Pressure at 20°C	Max. 5 bar abs	
Stagnant space	65cm ³ for 75mm-cartridge / 190cm ³ for 150mm-cartridge	
Filter surface	70cm ² for 75mm-cartridge / 140cm ² for 150mm-cartridge (efficient surface depending on filling)	
Materials:	Head	PVDF (standard) or PTFE
	Cartridge	PTFE
	Body	Duran [®] Glass
	Seals	FPM (head) PTFE/Silicone (GL-connection)
Temperature of ambient or sample	Max. 100°C (standard)	
Mounting method	Wall-mounting / panel mounting / Ankersmid Modular System (AMS)	

Various Adsorption materials	Components to be interrupted	Cross sensitive against
Active charcoal	Vapour of solvents or essential oil	SO ₂ , CO ₂ , CL ₂ , NH ₃
Calcium hydroxide	CO ₂	SO ₂ , CL ₂ , H ₂ O
Eisenberger Masse	Aerosols	HF
Silica-gel	Water vapour	SO ₂ , NH ₃ , HCL, CO ₂ , Cn Hm
PURAFIL II	SO ₂ , SO ₃ , NH ₃ , CS ₂ , H ₂ S	C ₂ H ₂ , C ₂ H ₄ , CH ₄ O
Sodium-calcium	CO ₂	SO ₂ , CL ₂ , H ₂ O